

TITLE: DWG. NO. LGSTEADY-ASSY		
SIZE A	MATERIAL FINISH	REV
SCALE: 1:1	WEIGHT:	SHEET 1 OF 5

5

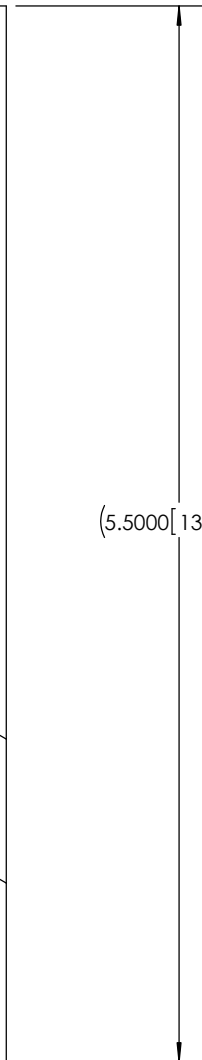
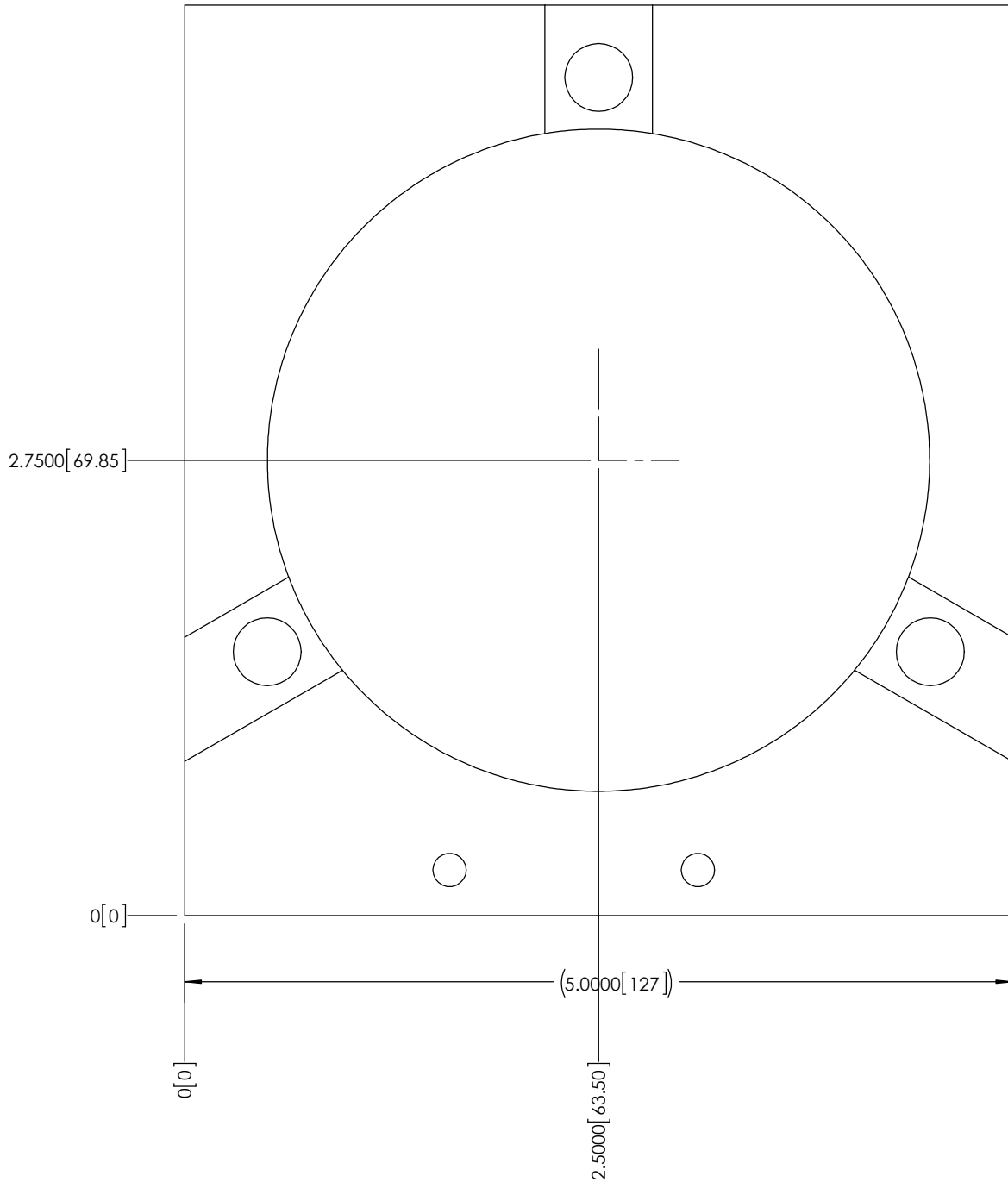
↑

4

3

2

1



(5.5000 [139.70])



2.7500 [69.85]

0 [0]

0 [0]

(5.0000 [127])

2.5000 [63.50]

TITLE: DWG. NO. LGSTEADY-ASSY		
SIZE A	MATERIAL FINISH	REV
SCALE: 1:1	WEIGHT:	SHEET 2 OF 5

5

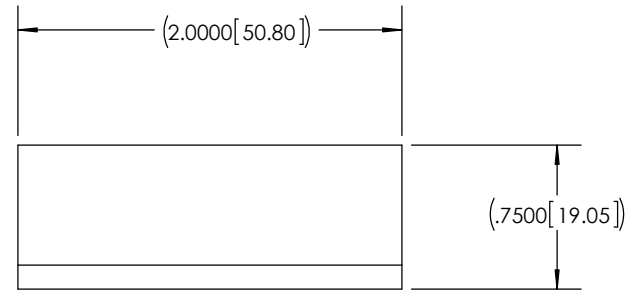
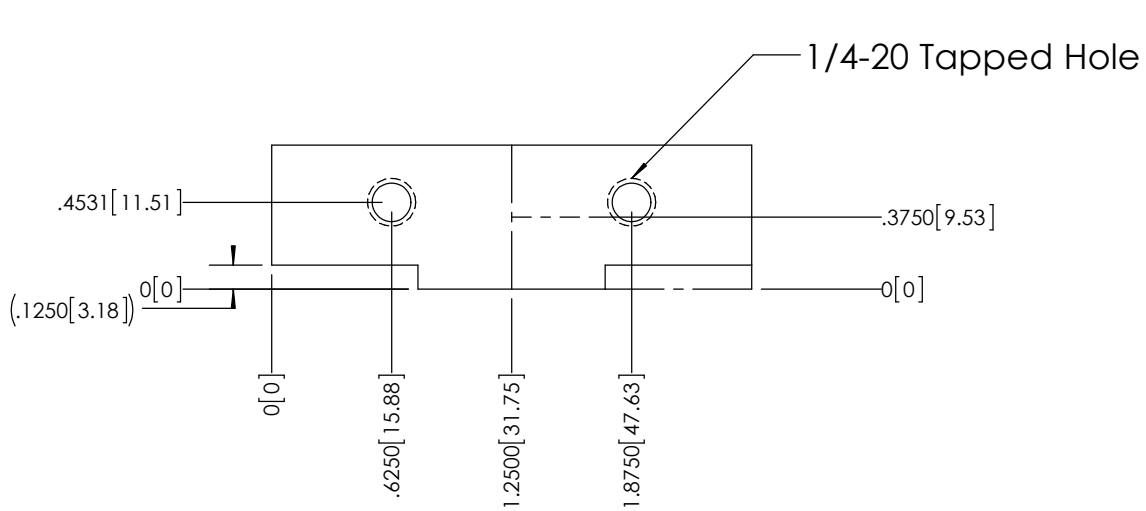
↑

4

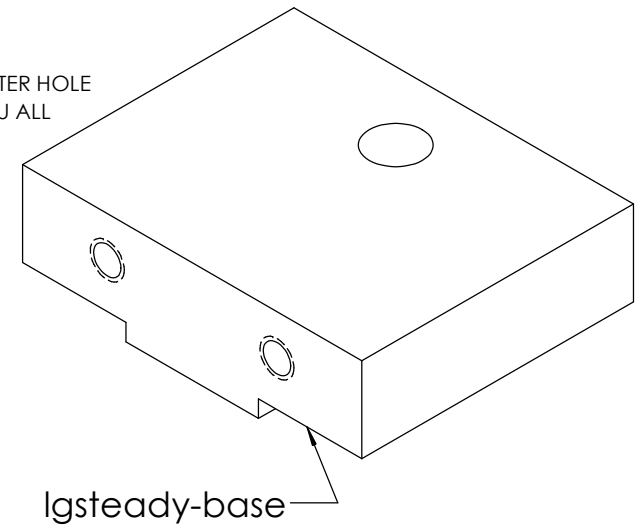
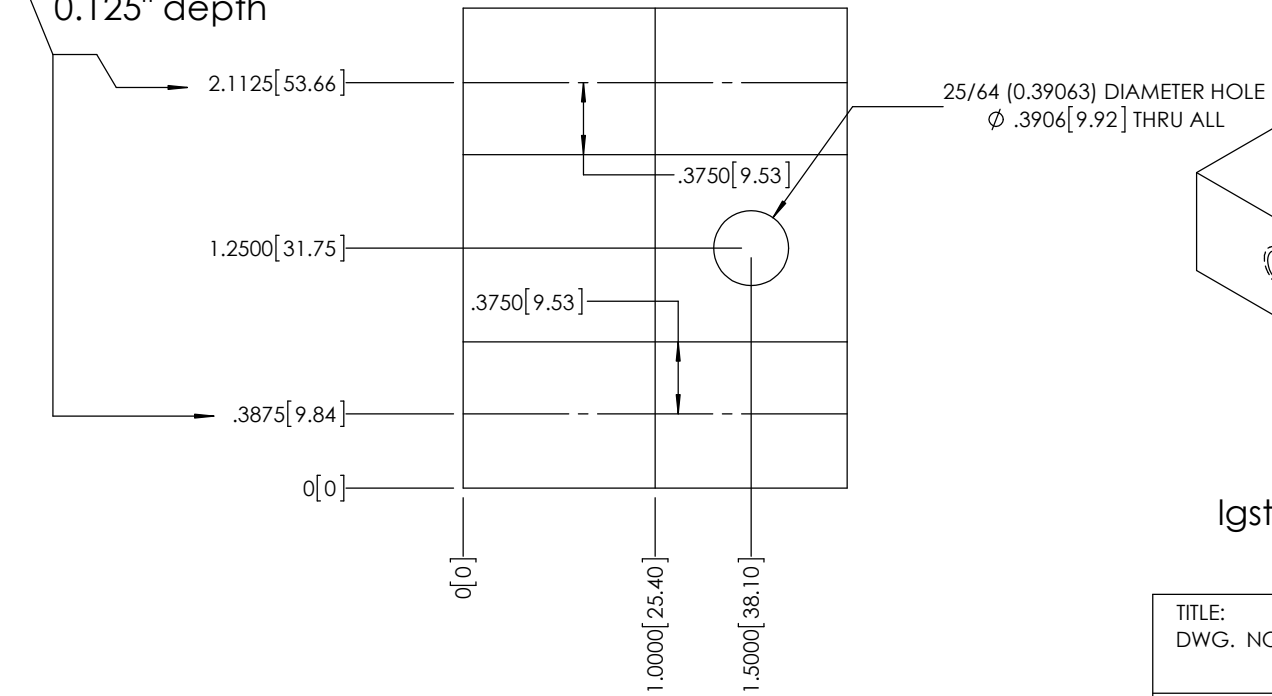
3

2

1



3/4" end mill
last pass
0.125" depth



TITLE: DWG. NO. LGSTEADY-ASSY		
SIZE A	MATERIAL FINISH	REV
SCALE: 1:1	WEIGHT:	SHEET 3 OF 5

5

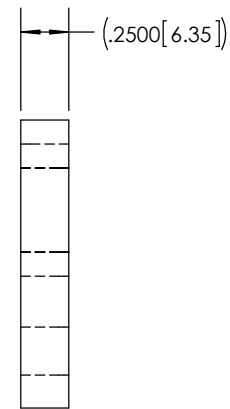
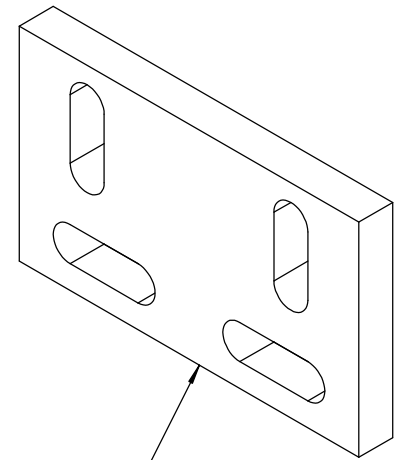
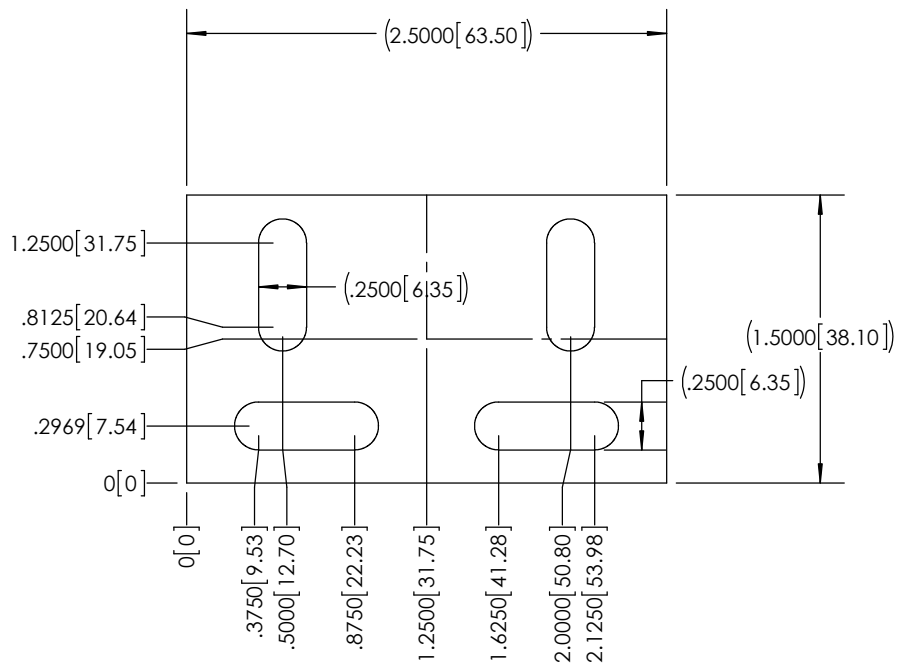
↑

4

3

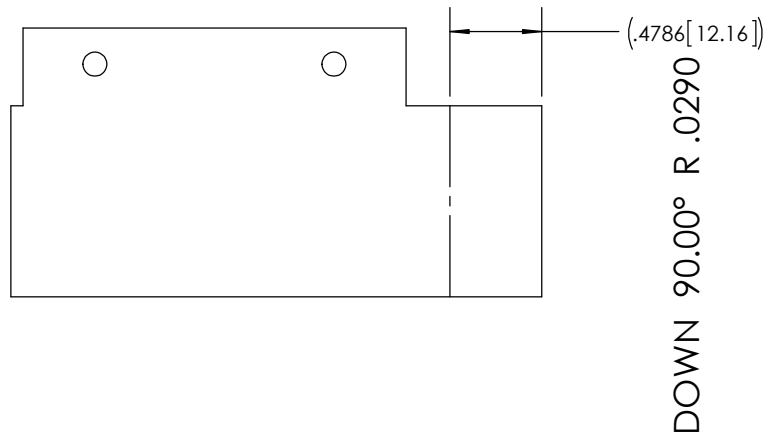
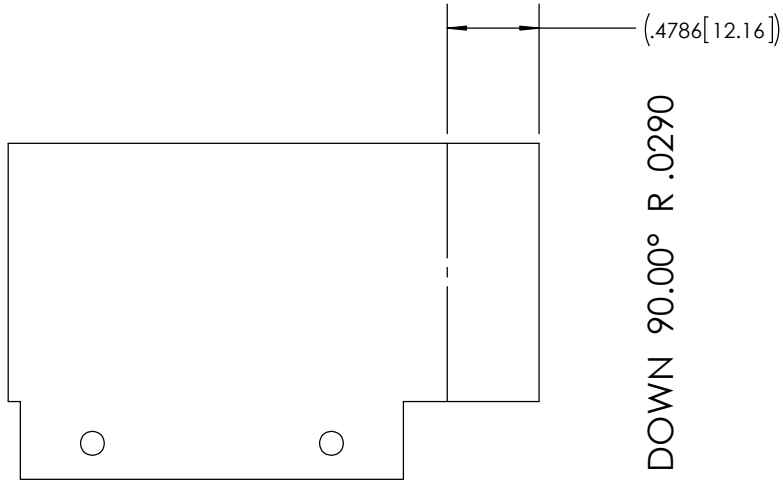
2

1



lgsteady-link

TITLE: DWG. NO. LGSTEADY-ASSY		
SIZE A	MATERIAL FINISH	REV
SCALE: 1:1	WEIGHT:	SHEET 4 OF 5



TITLE: DWG. NO. LGSTEADY-ASSY		
SIZE A	MATERIAL FINISH	REV
SCALE: 1:1	WEIGHT:	SHEET 5 OF 5

5



4

3

2

1